



## Installation, Operation & Maintenance Manual



**Please read and understand these instructions before installing your LiftLyte**

Illuminating Perception Corp (IPC), 21551 Pedroso, Mission Viejo, CA 92691  
Telephone: (949) 355-9000 ~ Email: [sdill@cox.net](mailto:sdill@cox.net)

## Important!

Read this entire document before attempting to install your LiftLyte™

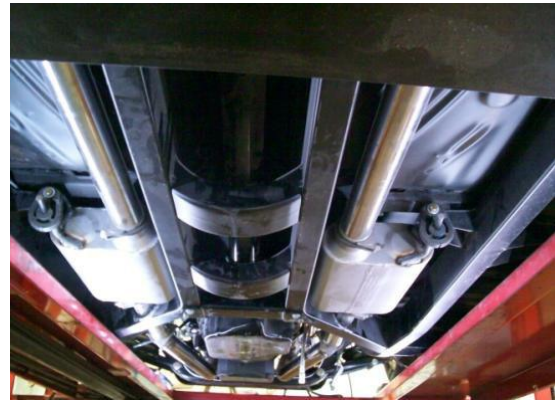
### **Introduction**

As a unique alternative to hand held lights, the LiftLyte™ is designed to provide service personnel and car enthusiasts with a highly effective, full range, under vehicle lighting system. High intensity automobile trouble lights produce glare and deep shadows that can mask problem areas. Flashlights, floodlights and daylight all share this same issue.

The LiftLyte™ uses LED Strip Technology to produce a bright, uniform no-glare light devoid of obscuring shadows. The system is designed to be installed on the side rails of vehicle lifts or the side walls of inspection pit areas. Even in the brightest of day time conditions, the LiftLyte can and will be highly effective. Service personnel can effectively and rapidly scan the vehicle underside, assisting them in searching out trouble areas or for general maintenance purposes.



Before



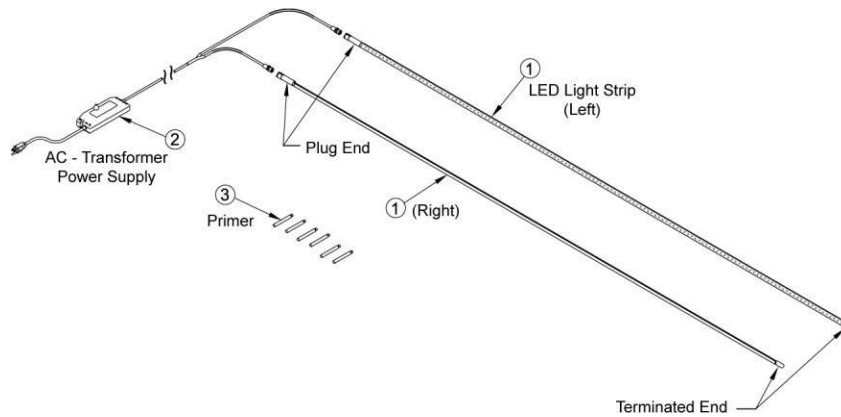
After

### **Special LiftLyte Features**

- Full area illumination.
- No shadows.
- Plug and Play installation. No hand tools required.
- Eliminates lamp or filament breakage in demanding work applications.
- Over 30,000 hours of lamp life resulting in lower maintenance costs.
- Resists vibration, impact, sudden movements and shock.
- Efficient light transmission and emission.
- Pre-determined light emission pattern for maximum effectiveness.
- Environmentally protective coatings for maximum durability and long life.

### **Components Provided**

Item	Qty.	DWG Ref No.	Product Part Number
Light Strip (Magnetized or double stick tape)	2	1	SUB2-090 Rt. or Lt.
AC Transformer Power Supply	1	2	SUB2-091
Primer Stick (for double stick tape version only)	6	3	M9N-089
Self-Adhesive Tie Down Points	8	N/A	C9N-039
Zip Ties	10	N/A	C9N-011
Self-Adhesive Velcro Tape (optional for mounting Switch)	1	N/A	N/A



**Figure 1: LiftLyte™ Main Components**

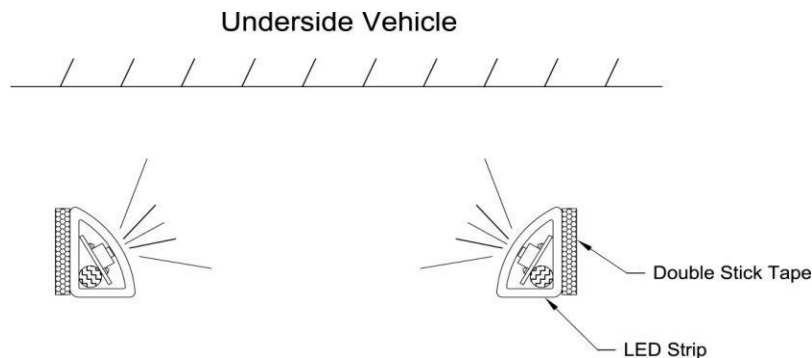
**Installation Procedure**

Before starting the installation of the LiftLyte™, understand that you will be providing power and the electrical power cord to the LiftLyte. Determine the best location that will allow for the easiest power access. Also note that your electrical extension cord may rise and fall with your lift depending on where you mount the AC Transformer Power Supply. Always keep your power cords in an area where they will not be damaged in any way.

**Note:** *All installation procedures must be performed with the power disconnected. The Procedures below primarily pertain to the double stick tape version of the LiftLyte but serves as a guide for installation of the magnetized version which is basically plug and play.*

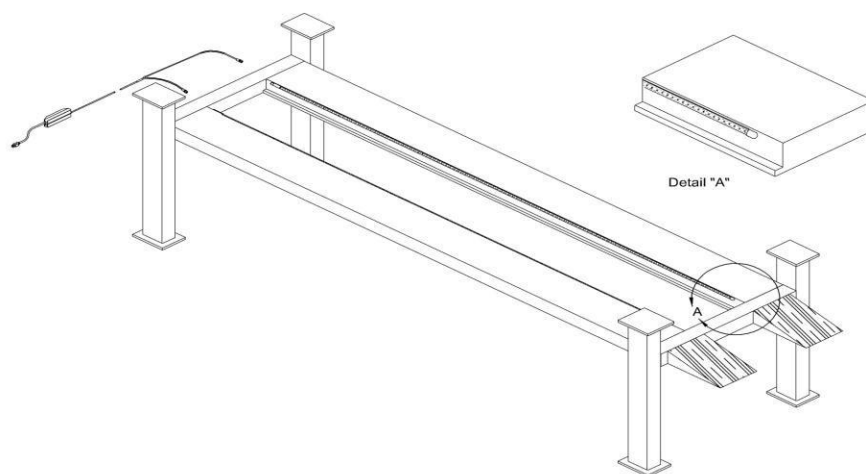
The LiftLyte™ is designed to accept power from either the left or the right. The AC Transformer Power Supply (item 2) may be positioned on the opposite side from that shown in Figure 1.

1. Verify all parts and associated quantities to the list of provided components on page 2. If there are any discrepancies please contact Illuminating Perception.
2. Remove the LED Light Strips from their plastic packaging. NOTE their triangular shape. NOTE also that one side has double stick tape pre-attached or magnets. Each LED Strip has a power input end and a terminated end. (See figure 1) The power input end of each strip is placed on the lift end where the electrical power is to be supplied.
3. **IMPORTANT:** The LED Light Strips must be attached at the proper angle when installed on your vehicle lift. Placement of each strip is critical. *(The high quality tape used to attach the LED Light Strips is almost impossible to remove when installed properly.)* The light emitted from the LED Strip must be directed under and across the underside of the vehicle (See Figure 2). The magnetized version can be moved to determine the most effective illumination.



**Figure 2: Correct Angle of Light Output When Attached to Lift Runways**

1. Determine where you will install the LED Light Strips on your runways and where the AC Transformer Power Supply will be located (See Figure 3 & Detail A). **IMPORTANT:** *Make sure there will be no interference with any accessory components used on the lift.* Clean the surface area of the inside horizontal rail of the lift or wall of the lube pit using a grease cutting solvent. Allow the surface to dry completely. Apply the primer stick mixture in a thin straight line along the complete length of the lift runway or lube pit wall where the LED Light Strip will be installed. This will remove any residual oil that may still be on the surface. This is critical for the adhesion of the double stick tape to the metal or concrete wall (for lube pit application). Repeat on the opposite runway or wall.
2. Prior to installing the LED Light Strips be certain that the plug end of the Light Strips will be positioned so the power cords from the AC Transformer power supply will be able to reach them. It is recommended to use a guide when applying the LED Light Strips to keep them straight on the runways. Remove about a foot of the protective cover from the double stick tape from the plug end of one length of light strip. **AGAIN** – be sure you are attaching the LED Light Strip so the light shines **up**.  
From the plug end of the LED Light Strip and working back to the terminated end, peel about a foot of the protective cover off at a time and attach the LED Light Strip to the thin straight line that was cleaned in step 4 until the entire LED Light Strip is installed. Press firmly along the entire length of the LED Light Strips to assure proper adhesion. Repeat on the opposite runway or wall.
3. The LiftLyte™ is designed to accept power from the left or from the right. Position the AC Transformer Power Supply (2) where electrical power will be easily available. Attach the plug ends of each Light Strip to the plug ends of the AC Power Cord and Transformer. To prevent damage to the plug contacts be sure to match up the alignment tabs on the plugs when attaching the power cords to the LED Light Strips. Use the supplied zip ties and mounts to secure the wiring as required. Clean the areas where the tie down points will be located with a grease cutting solvent and allow it to dry. Additionally clean those spots with one of the provided primer sticks. **DO NOT APPLY ELECTRICAL POWER TO THE TRANSFORMER AT THIS TIME.**
4. Clean the area you have chosen to mount the power supply with a grease cutting solvent and allow it to dry. Additionally clean that area with the primer sticks if provided. Remove the protective surface from the Velcro strip on the backside of the AC Transformer power supply. Stick the AC Transformer Power Supply to the cleaned area and press firmly. **DO NOT** place the transformer in an area where it can be damaged by raising or lowering the lift or by automobile tires or other items. **IMPORTANT:** Carefully raise and lower the lift completely several times to make certain there are no areas where power cords could get snagged on or crushed by any parts of the lift.
5. Run an extension cord to the AC Transformer Power Supply. Apply electrical power at this time. Push the on/off button on the transformer. The LiftLyte™ should activate within 2 seconds. Note that there is a very slight delay between activation and illumination of the LED Light Strips.



**Figure 3: Total Lift Configuration**

## **Maintaining LiftLyte™**

Follow these maintenance guidelines to keep your LiftLyte™ in good working condition.

- To remove any film or oil, periodically wipe the Light Strips with a clean cloth dampened with potable water and mild detergent (dish soap).
- Periodically inspect the power cords for chaffing, cuts etc.

## **LiftLyte™ Safety Considerations**

- Before supplying power to your LiftLyte™ carefully fully raise and lower the lift several times to be certain there are no interference points that could damage (pinch, cut, chafe, crush etc.) any of the components of your LiftLyte-M™ or, could prevent the full range of motion of the lift.
- Be sure all AC Transformer Power Supply cords and your extension cord are safely secured using the supplied zip ties and mounts.
- Always review the location of all components of your LiftLyte™ before installing or removing a vehicle from the lift.
- Regularly inspect all components of the LiftLyte™ for any possible damage.
- If welding or using a torch in the vicinity of your LiftLyte™ use care to prevent open flame or molten metal from coming into contact with any component of the LiftLyte™.

## **LiftLyte™ Technical Specifications**

### **Standard Light strip**

- Watts – LiftLyte 1000 model 36W, LiftLyte 1003 model 43W
- Amps – LiftLyte 1000 model 3.0A, LiftLyte 1003 model 3.6A
- Voltage – 12V -15V
- Length – LiftLyte 1000 model 2 x 140”, LiftLyte 1003 model 2 x 170”
- Viewing Angle - 120°
- Typical System Lumens 125 lm per foot – 1000 model total Lm (2900lm), 1003 model total Lm (3500lm)
- Color temperature – 6000K – 7000K
- Magnets – Neodymium N42
- Protective Sheath – Vinyl with UV, anti-blushing, anti-fungicidal inhibitors
- Listings - UL CE ROHS
- Life Expectancy – 30,000 hrs.

### **Power Supply**

- Watts – 60W
- Voltage - Input 100V – 240V 1.2A, Output 15V 4.0A
- Hertz – 50/60
- IP64
- Class 2
- Listings – UL CE ROHS
- Common US 120V plug with switch Standard

## **Illuminating Perception Corp LiftLyte™ and Transportation Lighting 2 Year Warranty**

**Warranty Terms:** Illuminating Perception (IPC) will replace or repair, at its sole option, any IPC transportation lighting product which is considered defective as a direct result of manufacturing or material defect. Products are defined as those products listed on the current Illuminating Perception price list. Products purchased from IPC are measured from the date that the item was shipped to the purchaser by IPC or its supplier/distributor. During the Two (2) Year Warranty Period the material will be repaired or replaced at no charge to the purchaser. IPC hereby assigns to the purchaser any warranty given to IPC, which may be so assigned, subject to the terms herein. This warranty is given to the purchaser from IPC and may not be assigned or otherwise transferred to any other party. All products purchased under these warranty terms must be purchased directly from IPC or an authorized Distributor.

**Warranty Conditions:** This warranty will be void if the warranted items are not used, installed and/or maintained as specified or recommended by the manufacturer, including, but not limited to: (a) abuse of products as determined by IPC, (b) failure to follow installation and maintenance manuals and/or instructions provided by the manufacturer; (c) are modified or altered in any way by anyone other than IPC; or (d) are not made available to IPC or its authorized representatives for inspection, along with all receipts, installation, maintenance and other appropriate documents, when a warranty claim is made. No incidental, consequential or other damages (including, but not limited to, costs of dismantling, shipping, reinstalling or other related costs) will be paid under any circumstances. Call IPC Customer Service to obtain an RMA number or a list of Certified Installers.

**Disclaimer of Other Warranties:** This warranty is the sole and exclusive remedy for any claims relating to items purchased from or through Illuminating Perception; no other warranties, express or implied, are given, including warranties or merchantability or fitness for any particular purpose. Illuminating Perception will not be responsible for any representation, promise or expansion on this limited warranty by any dealer, sales or manufacturing representative or distributor of the products covered by this warranty. In the event that there is any statutory expansion of the provisions of the warranty expressed herein, the item will be deemed purchased on an as-is basis as to such expansion. Except as provided in this limited warranty all items are purchased in an as-is condition.